

These Quality Features are Standard on all



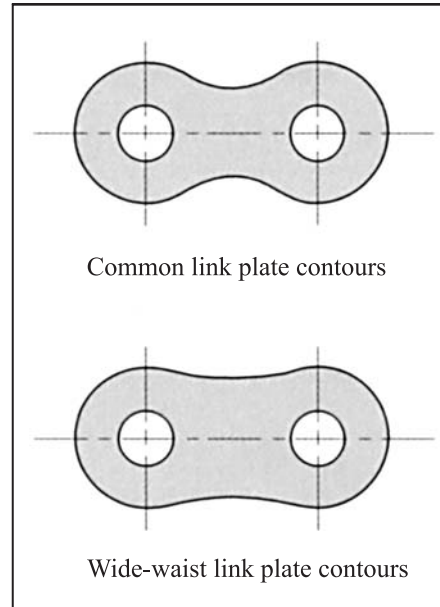
Roller Chains:

- **Wide Link Plates**
- **Ball Drifting of Holes**
- **Shot Peening of Link Plates and Rollers**

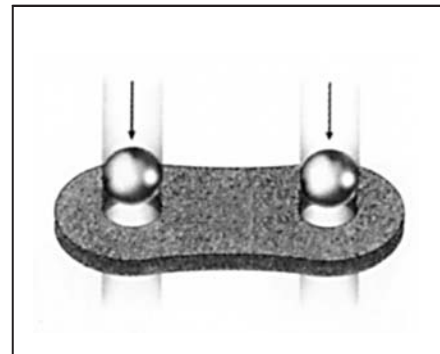
To help combat fatigue and prevent rapid start up elongation, all our roller chains are pre-stressed and machine run in final assembly.

**OTHER
QUALITY
RBL
CHAIN
PRODUCTS**

- Stainless Steel Chains
- Dacromet Plated Chains
- Nickel Plated Chains
- Leaf Chains
- Lumber Conveyor Chains
- Hollow Pin Chains
- Oil filled Chains
- SideBow Chains
- Sprockets & Bushings



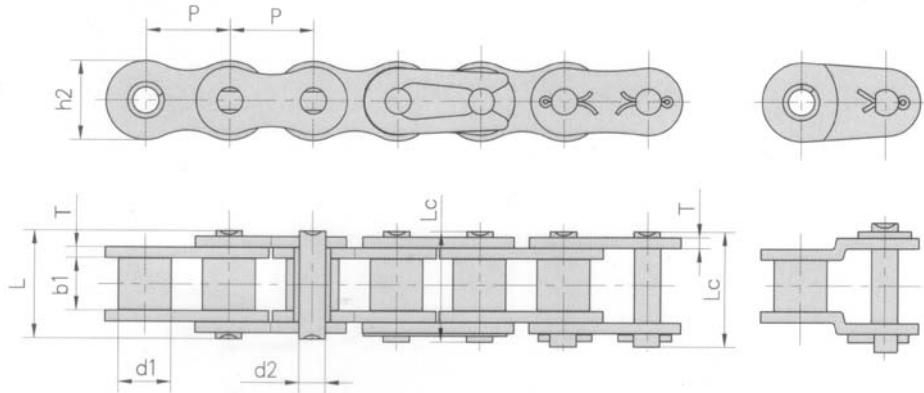
- **Design of link plate waist**
Increase in width of waist for combating fatigue



- **Ball drift**
The plate holes are finally ball-burnished to assure maximum resistance to fatigue failure.



- **Shot peened parts**
Link plates and rollers are shot peened for greater fatigue strength.



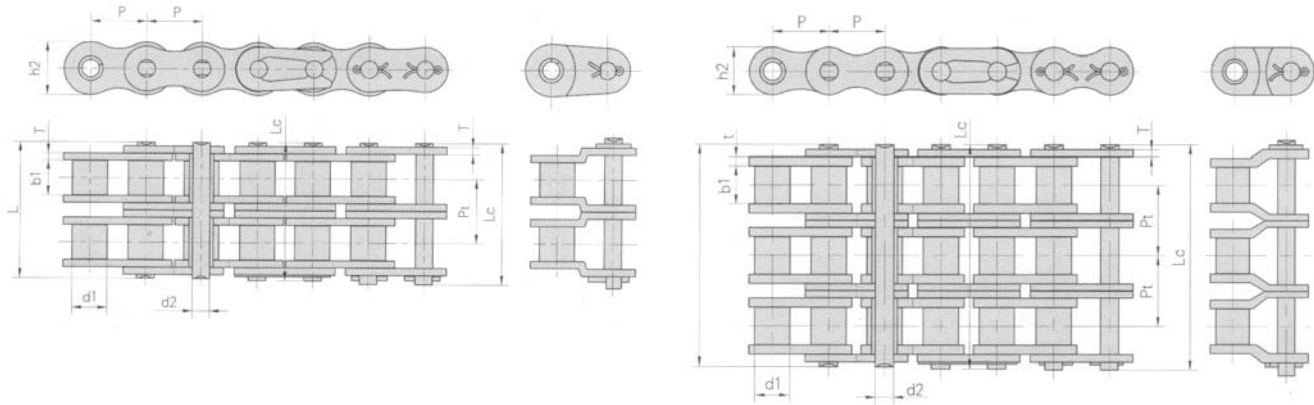
RBL CHAIN No.	Dimensions (mm)									Ultimate tensile strength		Approx Weight (kg/m)
	Pitch		Width inner plates	Roller diameter	Link plate height	Link plate height	Pin Dia.	Pin Length	Pin Length	kN	LB	
	in	mm	b1	d1	t	h2	d2	L	Lc			
*25	1/4	6.350	3.18	3.30	0.80	6.00	2.31	7.90	8.40	3.5	795	0.15
*35	3/8	9.525	4.77	5.08	1.30	9.00	3.58	12.40	13.17	7.9	1795	0.33
41	1/2	12.700	6.25	7.77	1.30	9.91	3.58	13.75	15.00	6.7	1516	0.41
40	1/2	12.700	7.85	7.95	1.50	12.00	3.96	16.60	17.80	14.1	3205	0.62
50	5/8	15.875	9.40	10.16	2.03	15.09	5.08	20.70	22.20	22.2	5045	1.02
60	3/4	19.050	12.57	11.91	2.42	18.00	5.94	25.90	27.70	31.8	7227	1.50
80	1	25.400	15.75	15.88	3.25	24.00	7.92	32.70	35.00	56.7	12886	2.60
100	1-1/4	31.750	18.90	19.05	4.00	30.00	9.53	40.40	44.70	88.5	20114	3.91
120	1-1/2	38.100	25.22	22.23	4.80	35.70	11.10	50.30	54.30	127.0	28864	5.62
140	1-3/4	44.450	25.22	25.40	5.60	41.00	12.70	54.40	59.00	172.4	39182	7.50
160	2	50.800	31.55	28.58	6.40	47.80	14.27	64.80	69.60	226.8	51545	10.10
200	2-1/2	63.500	37.85	39.68	8.00	60.00	19.85	80.30	87.20	353.8	80409	16.15

ANSI HEAVY ROLLER CHAINS

50H	5/8	15.875	9.40	10.16	2.42	15.09	5.08	22.10	23.40	22.2	5045	1.25
60H	3/4	19.050	12.57	11.91	3.25	18.00	5.94	29.20	31.00	31.8	7227	1.87
80H	1	25.400	15.75	15.88	4.00	24.00	7.92	36.20	37.70	56.7	12886	3.10
100H	1-1/4	31.750	18.90	19.05	4.80	30.00	9.53	43.60	46.90	88.5	20114	4.52

* Bushing chain: d1 in the table indicates the external diameter of the bushing.

Alternative dimensions are available, for critical engineering or construction requirements please confirm these dimensions with your local Ringball office


DUPLEX ROLLER CHAIN

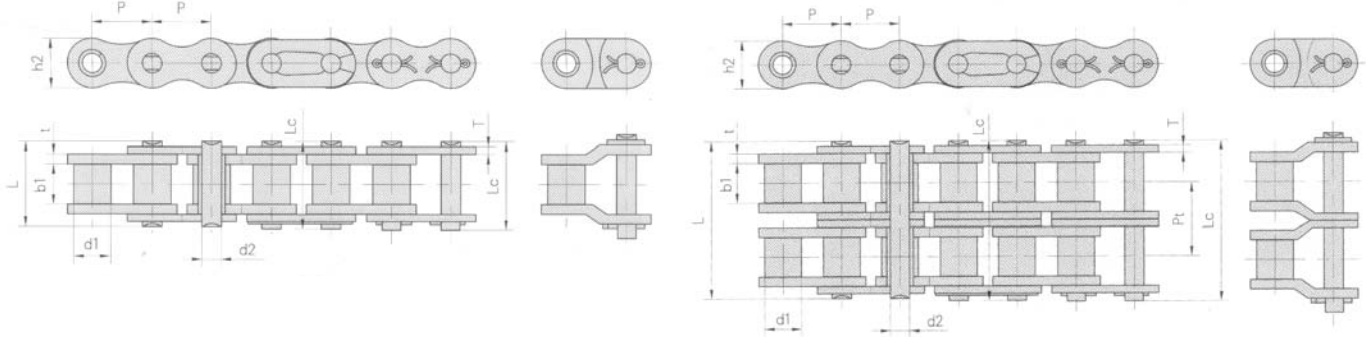
RBL CHAIN No.	Dimensions (mm)										Ultimate tensile strength		Approx Weight (kg/m)
	Pitch		Width inner plates	Roller Diameter	Link plate	Link plate height	Pin Dia.	Pin Length	Pin Length	Transverse pitch	kN	LB	
	P		b1	d1	T	h2	d2	L	Lc	Pt			
in	mm												
*35-2	3/8	9.525	4.77	5.08	1.30	9.00	3.58	22.5	23.3	10.13	15.8	3591	0.63
40-2	1/2	12.700	7.85	7.95	1.50	12.00	3.96	31.0	32.2	14.38	28.2	6409	1.12
50-2	5/8	15.875	9.40	10.16	2.03	15.09	5.08	38.9	40.4	18.11	44.4	10091	2.00
60-2	3/4	19.050	12.57	11.91	2.42	18.00	5.94	48.8	50.5	22.78	63.6	14455	2.92
80-2	1	25.400	15.75	15.88	3.25	24.00	7.92	62.7	64.3	29.29	113.4	25773	5.15
100-2	1-1/4	31.750	18.90	19.05	4.00	30.00	9.53	76.4	80.5	35.76	177.0	40227	7.80
120-2	1-1/2	38.100	25.22	22.23	4.80	35.70	11.10	95.8	99.7	45.44	254.0	57727	11.70
140-2	1-3/4	44.450	25.22	25.40	5.60	41.00	12.70	103.3	107.9	48.87	344.8	78364	15.14
160-2	2	50.800	31.55	28.58	6.40	47.80	14.27	123.3	128.1	58.55	453.6	103091	20.14

TRIPLEX ROLLER CHAIN

*35-3	3/8	9.525	4.77	5.08	1.30	9.00	3.58	32.7	33.5	10.13	23.7	5386	1.05
40-3	1/2	12.700	7.85	7.95	1.50	12.00	3.96	45.4	46.6	14.38	42.3	9614	1.90
50-3	5/8	15.875	9.40	10.16	2.03	15.09	5.08	57.0	58.5	18.11	66.6	15136	3.09
60-3	3/4	19.050	12.57	11.91	2.42	18.00	5.94	71.5	73.3	22.78	95.4	21682	4.54
80-3	1	25.400	15.75	15.88	3.25	24.00	7.92	91.7	93.6	29.29	170.1	38659	7.89
100-3	1-1/4	31.750	18.90	19.05	4.00	30.00	9.53	112.2	116.3	35.76	265.5	60341	11.77
120-3	1-1/2	38.100	25.22	22.23	4.80	35.70	11.10	141.4	145.2	45.44	381.0	86591	17.53
140-3	1-3/4	44.450	25.22	25.40	5.60	41.00	12.70	152.2	156.8	48.87	517.2	117545	22.20
160-3	2	50.800	31.55	28.58	6.40	47.80	14.27	181.8	186.6	58.55	680.4	154636	30.02

* Bushing chain: d1 in the table indicates the external diameter of the bushing.

Alternative dimensions are available, for critical engineering or construction requirements please confirm these dimensions with your local Ringball office



RBL CHAIN No	Reference	Dimensions (mm)									Ultimate tensile strength Min		Approx Weight kg/m
		Pitch		Width inner plates b1	Roller Dia. d1	Link plate T	Link plate height h2	Pin Dia. d2	Pin Length L	Pin Length Lc	kN	LB	
		in	mm										
04B	BS-445	-	6.000	2.80	4.00	0.60	5.0	1.85	6.80	7.80	3.1	682	0.11
05B	BS-450	-	8.000	3.00	5.00	0.80	7.1	2.31	8.20	8.90	5.0	1136	0.20
*06B	BS-455	3/8	9.525	5.72	6.35	1.30	8.2	3.28	13.15	14.10	9.0	2045	0.41
08B	BS-462	1/2	12.700	7.75	8.51	1.60	11.8	4.45	16.70	18.20	18.0	4091	0.69
10B	BS-501	5/8	15.875	9.65	10.16	1.70	14.7	5.08	19.50	20.90	22.4	5091	0.93
12B	BS-513	3/4	19.050	11.68	12.07	1.85	16.0	5.72	22.50	24.20	29.0	6591	1.15
16B	BS-548	1	25.400	17.02	15.88	4.15(3.1)	21.0	8.28	36.10	37.40	60.0	13636	2.71
20B	BS-563	1-1/4	31.750	19.56	19.05	4.50(3.5)	26.4	10.19	41.30	45.00	95.0	21591	3.70
24B	BS-596	1-1/2	38.100	25.40	25.40	6.00(4.8)	33.2	14.63	53.40	57.80	160.0	36364	7.10
28B	BS-613	1-3/4	44.450	30.99	27.94	7.50(6.0)	36.7	15.90	65.10	69.50	200.0	45455	8.50

DUPLEX ROLLER CHAIN

05B-2	BS-D-450	-	8.000	3.00	5.00	0.80	7.1	2.31	13.9	14.5	7.8	1773	0.33
*06B-2	BS-D-455	3/8	9.525	5.72	6.35	1.30	8.2	3.28	23.4	24.4	16.9	3841	0.77
08B-2	BS-D-462	1/2	12.700	7.75	8.51	1.60	11.8	4.45	31.2	32.2	32.0	7273	1.34
10B-2	BS-D-501	5/8	15.875	9.65	10.16	1.70	14.7	5.08	36.1	37.5	44.5	10114	1.84
12B-2	BS-D-513	3/4	19.050	11.68	12.07	1.85	16.0	5.72	42.0	43.6	57.8	13136	2.31
16B-2	BS-D-548	1	25.400	17.02	15.88	4.15(3.1)	21.0	8.28	68.0	69.3	106.0	24091	5.42
20B-2	BS-D-563	1-1/4	31.750	19.56	19.05	4.50(3.5)	26.4	10.19	77.8	81.5	170.0	38636	7.20
24B-2	BS-D-596	1-1/2	38.100	25.40	25.40	6.00(4.8)	33.2	14.63	101.7	106.2	280.0	63636	13.40
28B-2	BS-D-613	1-3/4	44.450	30.99	27.94	7.50(6.0)	36.7	15.90	124.6	129.1	360.0	81818	16.60

* Straight side plates

Alternative dimensions are available, for critical engineering or construction requirements please confirm these dimensions with your local Ringball office